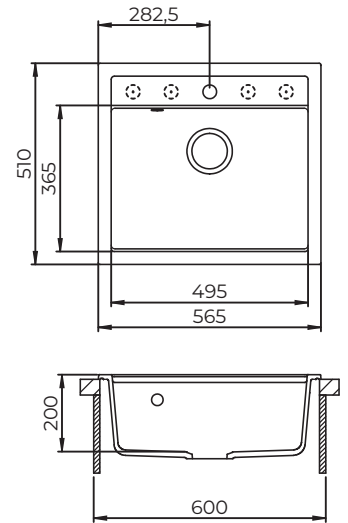


# SQQ100

Single bowl SILICSANA® composite granite kitchen sink



Brand  
Line  
Country of origin

HELIKA  
Quadro  
LITHUANIA

## Technical Information

Recommended min. cabinet	60 cm
Installation type	Topmount
Reversible	No
Bowl configuration	One Bowl
Sink dimensions	565 x 510 mm
Bowl dimensions	495 x 365 mm
Bowl depth	200 mm
Material	SILICSANA artificial granite
Tray	No
Drilled hole for accessories	No   1 fully drilled hole
Drain size	Ø90 mm
Overflow	Round, Ø30 mm
Net weight	10,0 kg

## Available colors

Code	Color
SQQ100-110	Beige
SQQ100-111	Silica
SQQ100-113	Blanched almond
SQQ100-114	Mocha warm
SQQ100-202	Alumetallic
SQQ100-220	Argent
SQQ100-222	Graphite
SQQ100-601	Black metallic
SQQ100-710	Alba

## Included with product

Installation and care instructions  
 Top Mounting Clips  
 Strainer AQF-001V HELIKA (W) or AQF-002V HELIKA (AW) or AQL-002V HELIKA (AWP) | Country of origin: Italy  
 Gross weight: 14,6 kg

## Warranty

The manufacturer is liable for manufacturing and material defects of an item during a 15-year guarantee period.

